



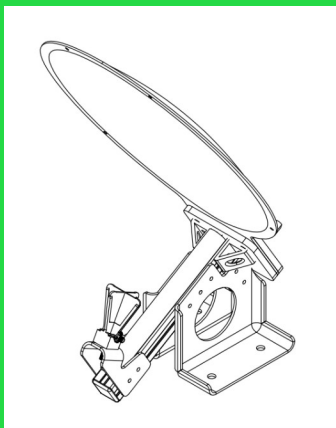
# OWL Wide-Band Antennas

OWL-0440-XX



## Characteristics:

- 4 - 40 GHz
- Offset-fed Prime Focus
- Quad Ridge Feed
- Dual Linear Pol
- TRL 9 / MRL 9 Feed



## Modifications:

- Sub-band Optimization
- Reflector Size
- Mounting Features
- Electronics Mounting
- SWAP Optimization
- Tool-less Takedown
- Transit Cases
- Finish / Paint

**Salt Lake Scientific, LLC**  
 Sandy, UT  
 service@saltlakescientific.com  
 CAGE: 7MJN8  
 Rev A

	OWL-0440-12	OWL-0440-15	OWL-0440-18	OWL-0440-24
Frequency:	5 - 40 GHz	4 - 40 GHz	4 - 40 GHz	4 - 40 GHz
Reflector:	12in	15in	18in	24in
Max Dim:	10.4"x19.3"x13.5"	11.9"x23.1"x16.9"	13.5"x27.1"x20.2"	16.4"x34.8"x26.9"
Mass:	< 5.4 lbm	< 6.9 lbm	< 9.1 lbm	< 15.0 lbm
Materials:	Aluminum			
Finish:	MIL-DTL-5541 (Type II, Class 3) and Anodized			
RF Connector:	Female 2.9mm - Type K			
VSWR (max):	70:1			
VSWR (avg):	1.6:1			
Impedance:	50 Ohm			
Power:	5 W (CW) / 10 W (Peak)			
Port Isolation:	> 30 dB			
Op. Temp.:	0 to +50 degC			
Storage Temp.:	-20 to +70 degC			

