



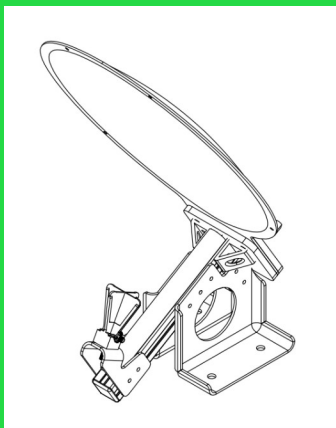
OWL Wide-Band Antennas

OWL-0550-XX



Characteristics:

- 5 - 50 GHz
- Offset-fed Prime Focus
- Quad Ridge Feed
- Dual Linear Pol
- TRL 9 / MRL 9 Feed

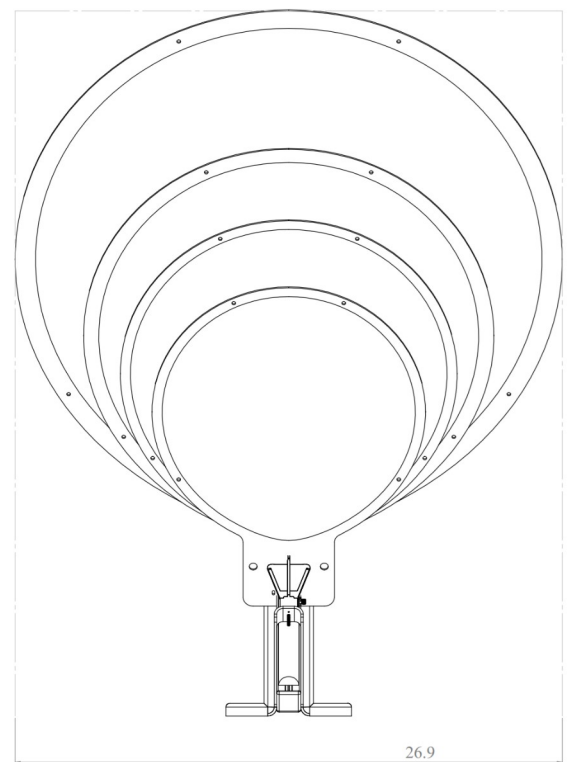
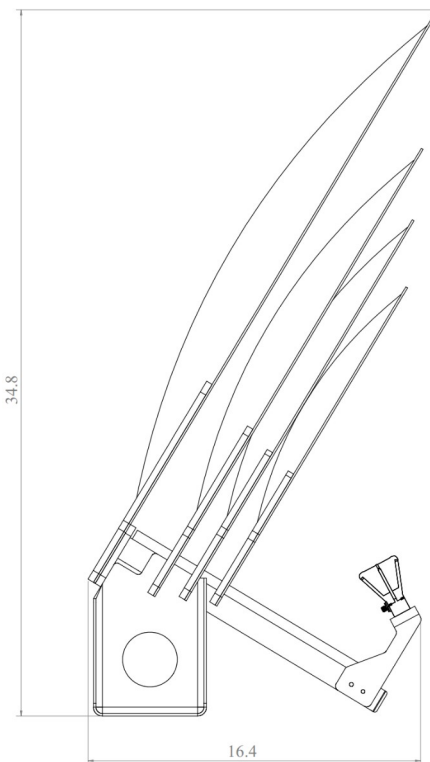


Modifications:

- Sub-band Optimization
- Reflector Size
- Mounting Features
- Electronics Mounting
- SWAP Optimization
- Tool-less Takedown
- Transit Cases
- Finish / Paint

Salt Lake Scientific, LLC
 Sandy, UT
 service@saltlakescientific.com
 CAGE: 7MJN8
 Rev A

	OWL-0550-12	OWL-0550-15	OWL-0550-18	OWL-0550-24
Frequency:	5 - 50 GHz			
Reflector:	12in	15in	18in	24in
Max Dim:	10.4"x19.3"x13.5"	11.9"x23.1"x16.9"	13.5"x27.1"x20.2"	16.4"x34.8"x26.9"
Mass:	< 5.4 lbm	< 6.9 lbm	< 9.1 lbm	< 15.0 lbm
Materials:	Aluminum			
Finish:	MIL-DTL-5541 (Type II, Class 3) and Anodized			
RF Connector:	Female 2.40mm			
VSWR (max):	2.5:1			
VSWR (avg):	1.45:1			
Impedance:	50 Ohm			
Power:	5 W (CW) / 10 W (Peak)			
Port Isolation:	> 28 dB			
Op. Temp.:	0 to +50 degC			
Storage Temp.:	-20 to +70 degC			





OWL Wide-Band Antennas

OWL-0550-XX

